



8.4

Pressure gauge isolator valve

Type AF 6...L3X

Size 6
up to 315 bar



Contents

Function and configuration	02
Installation examples	02
Ordering code	03
Technical data	03
Unit dimensions	04

Features

- 3-way spool valve
- For sub-plate mounting
- For threaded connections
- Push button operated

Function and configuration

Pressure gauge isolator valves type AF 6 are 3-way spool valves for manual operation.

They serve to monitor the prevailing operating pressure.

The valves basically consist of housing (1), spool (2), compress spring (3), push button (4) .

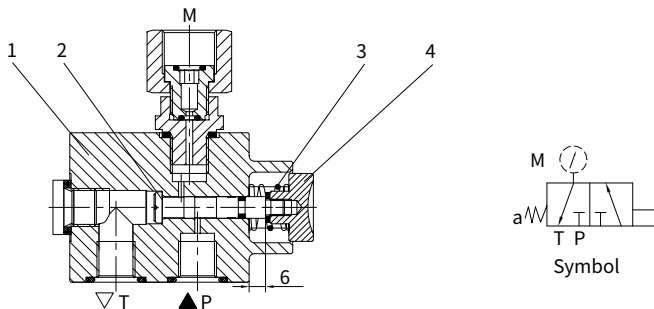
It has two switched positions as well as spring return to the initial position.

In the initial position, flow from P to the pressure gauge via the spool (2) is blocked and the pressure gauge is connected with channel T.

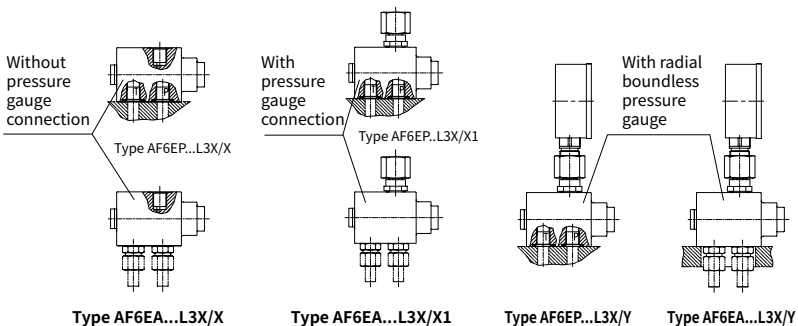
When the button (4) is pushed, the spool (2) , is moved into the switched position, giving free flow from P to the pressure gauge and the connection to T is blocked. After operation, the spool (2) is pushed back into the initial position by the compress spring (3) and thereby unloads the pressure gauge.

The valve is available for sub-plate mounting or threaded connections.

The pressure gauge can be directly screwed in to the valve housing or fitted separately (see installation examples).



Installation examples



Type AF6EA...L3X/X

Type AF6EA...L3X/X1

Type AF6EP...L3X/Y

Type AF6EA...L3X/Y

Ordering code

	A	F	6	E	-L3X	/	/	*
Isolator valve	= A							
Spring return	= F							
Nominal size 6	=6							
Single valve	= E							
For threaded connections	= A							
For sub-plate mounting	= P							
Series L30 to L39 (L30 to L39: unchanged installation and connection dimensions)	=L3X							
Without pressure gauge connection	=X							
With pressure gauge connection	=X1							
With radial boundless pressure gauge	=Y							

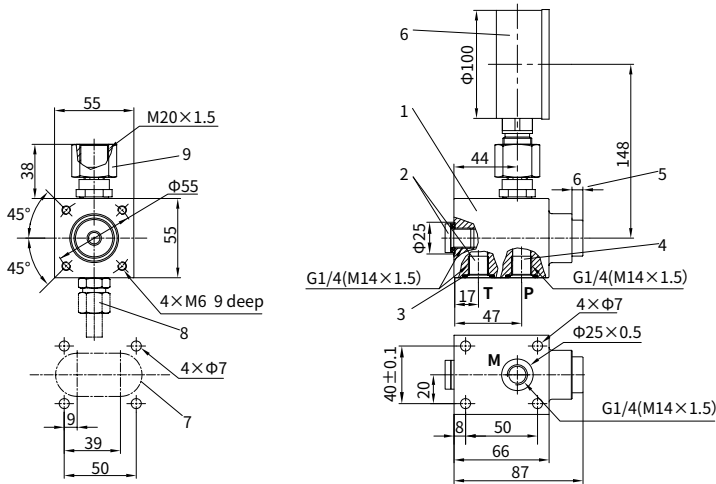
Further details in clear text	
No code=	NBR seals
V=	FKM seals
Connection thread:	
No code =	Inch threaded
2 =	Metric threaded
Pressure gauge measuring range(only for version Y	
6 =	Indication range up to 60bar (allowable max. operating pressure 40bar)
10=	Indication range up to 100bar (allowable max. operating pressure 63bar)
16=	Indication range up to 160bar (allowable max. operating pressure 100bar)
25=	Indication range up to 250bar (allowable max. operating pressure 160bar)
40=	Indication range up to 400bar (allowable max. operating pressure 315bar)

Technical data

Fluid		Mineral oil, Phosphate ester
Fluid temperature range	°C	-30 to +80 (NBR seal)
		-20 to +80 (FKM seal)
Viscosity range	mm ² /s	2.8 to 380
Degree of contamination		Maximum permissible degree of fluid contamination: Class 9. NAS 1638 or 20/18/15, ISO4406
Max.operating pressure	bar	315
Indicatingrange of pressure gauge	bar	60, 100, 160, 250, 400
		the indicating range should be approx. 30 % above the max.operating pressure
Weight	kg	1.4

Unit dimensions

(Dimensions in mm)



- 1 Pressure gauge isolator valve
- 2 Tank port, optional
- 3 O-ring 20×2.65 (for plate-type connection)
- 4 Pressure port (pump)
- 5 Push button, stroke 6 mm
- 6 Pressure gauge diameter 100mm
- 7 Panel cut-out
- 8 Connectors(out of the supplying scop)
- 9 Pressure connections

